

# Non EMC DIN-Based VectorPak™ Subracks



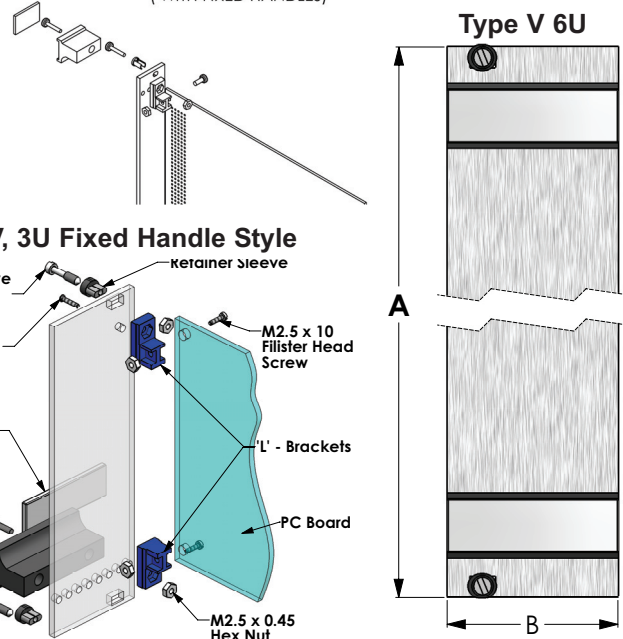
ELECTRONICS & TECHNOLOGY, INC.  
A FINE TECHNOLOGY GROUP

## Front Panels

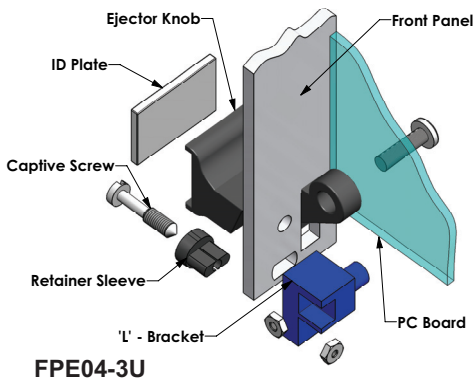
Screw-mounted front panel kits include handle and identification panel. Available in 3U, 6U and 9U heights and in two widths: 4HP (0.788") and 8HP (1.588"). All mounting hardware, including board mounting support bracket and hardware also included. Brushed aluminum panel with clear irridite plating matches standard finish for Vector packaging products. FPE04-6U panel will have extra center mounting holes for optional 'L' brackets. For no center holes order FPE04-6UB.

Part # Ejector	Part # Fixed	Ht.	HP	A	B
FPE04-3U	FP04-3U	3U	4HP	5.06" (129mm)	0.788" (20mm)
FPE08-3U	FP08-3U	3U	8HP	5.06" (129mm)	1.588" (40mm)
FPE03-6U	FP03-6U	6U	3HP	10.31" (262mm)	0.580" (14mm)
FPE04-6U	FP04-6U	6U	4HP	10.31" (262mm)	0.788" (20mm)
FPE08-6U	FP08-6U	6U	8HP	10.31" (262mm)	1.588" (40mm)

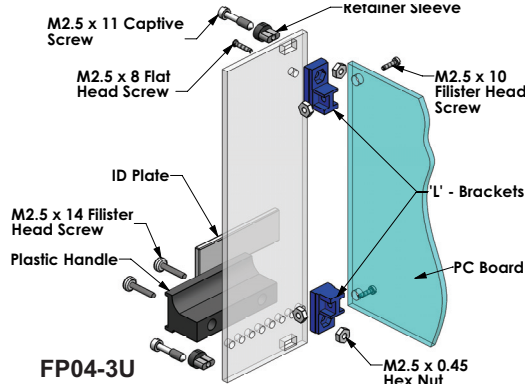
## 6U FRONT PANEL ASSEMBLY (WITH FIXED HANDLES)



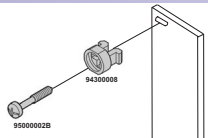
### Type I, II Ejector Style



### Type V, 3U Fixed Handle Style



# Standard Filler Panels



Captive sleeves/screws are included with all VectorPak™ filler panels and also sold separately in a hardware kit:

P/N HD99

Includes	Qty
Black plastic sleeve	48
M2.5 x 11 mm, nickel plated steel screw	48

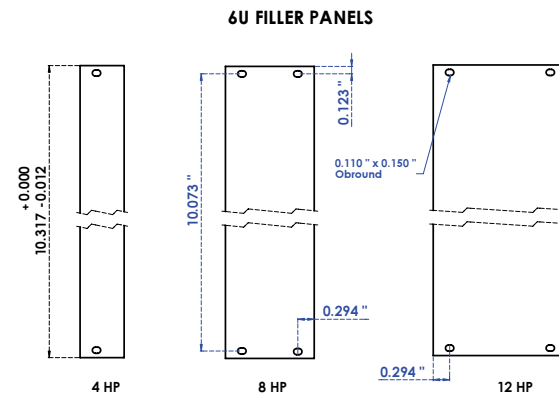
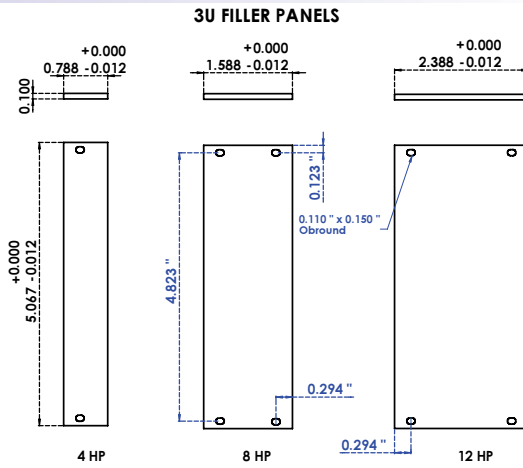
## Filler Panels/Blank-off Plates Features

- Covers unused slots
- Improves air flow
- Mounting hardware included

Typical slot width is 0.800" (4HP)  
Material: 6063T5, extruded brushed Aluminum with clear Iridite finish.

Each Filler Panel Kit Includes  
4,8 or 12HP panel (0.8", 1.6" or 2.4")  
M2.5 Nickel plated mounting screws with 'captive' sleeves

U	Part Number 4HP	Part Number 8HP	Part Number 12HP
3	5231304-07	5231308-07	5231312-07
6	5261304-07	5261308-07	5261312-07
9	5291304-07	5291308-07	5291312-07



Non EMC Subracks

